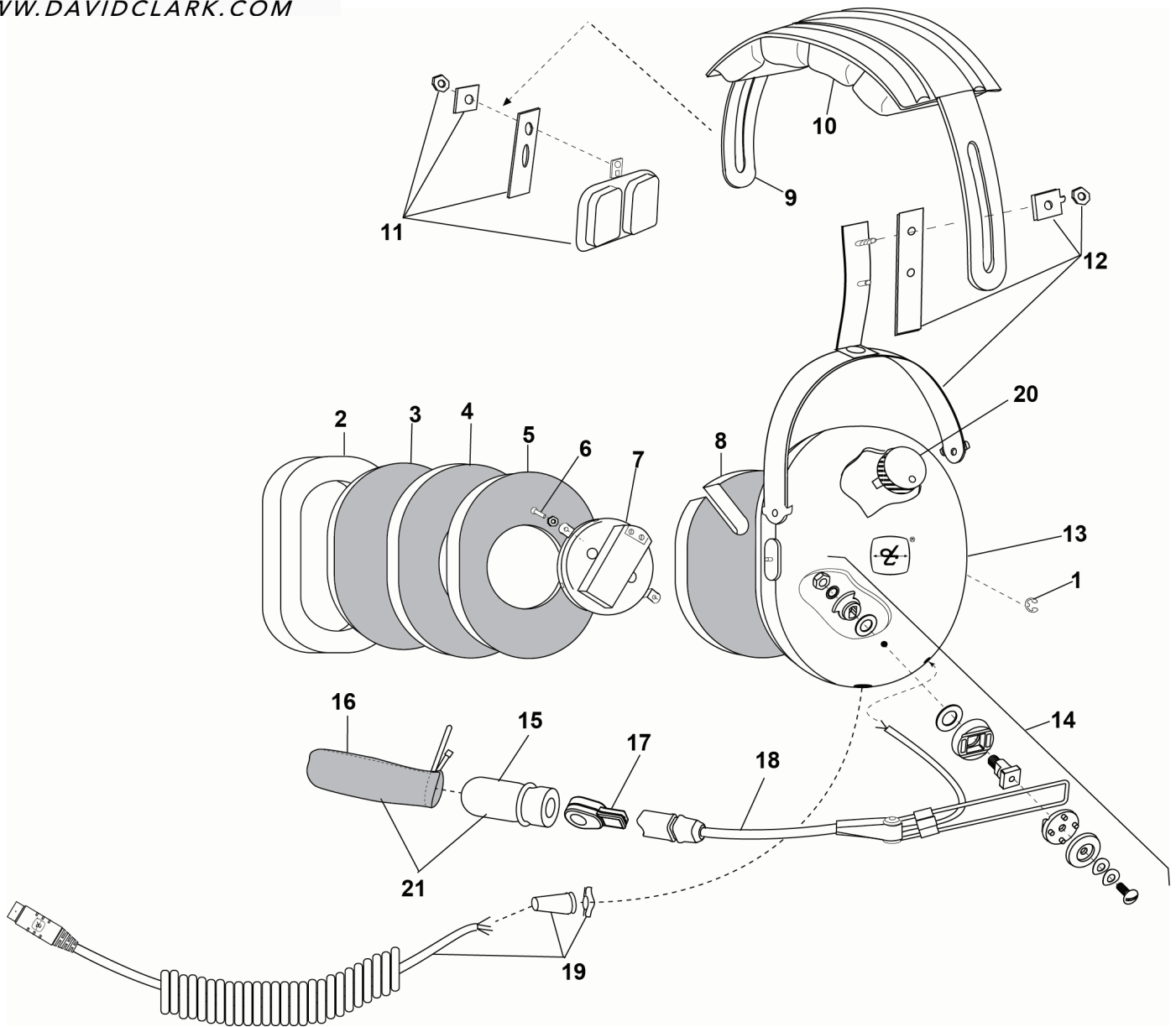


**PARTS LIST
MODEL H9990**



No.	Description	Part No.
1	Retaining Ring (10/pk)	00009M-03
2	Undercut Gel Earseal (pair)	40863G-02
3	Filter (1 each)	14096P-09
4	Dome Filter (1 each)	14096P-05
5	Dome Filter (1 each)	25629P-03
6	Screw/Grommet Kit (4 pk)	18900G-47
7	Earphone Assembly	10376G-55
8	Dome Filter	26475P-02
9	Headband Spring	15247P-01
10	Headpad Assy	40075G-02
11	Temple Pad Assy Kit	18900G-37

No.	Description	Part No.
12	Stirrup & Clamp Kit	22378G-12
13	Dome, Left	15253P-59
14	Boom Guide Kit	12840G-20
15	Screen, Wind, Mic	15074P-08
16	Windscreen Cover w/Tie	18792G-03
17	Microphone M-2H 5 OHM	09168P-75
18	Hybrid Boom w/ Cord	18740G-36
19	Comm Cord Assy Kit	40599G-98
20	Volume Control	09349P-57
21	Mic Protector/Windscreen Kit	41090G-20

ELECTRICAL SCHEMATIC MODEL H9990

